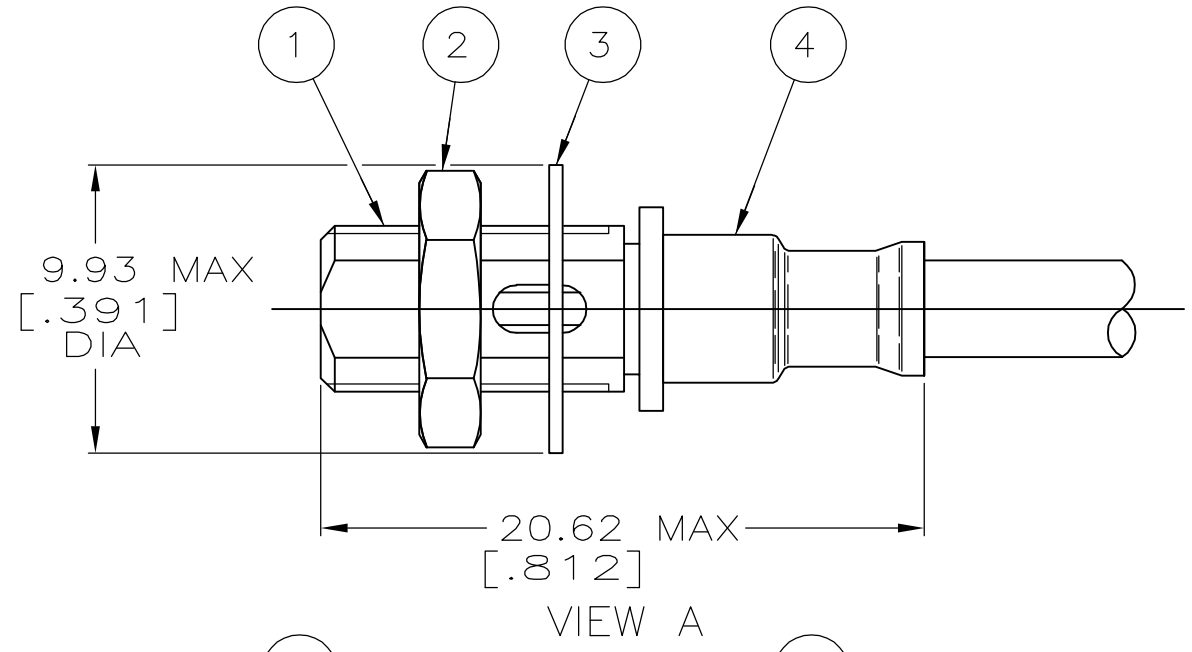
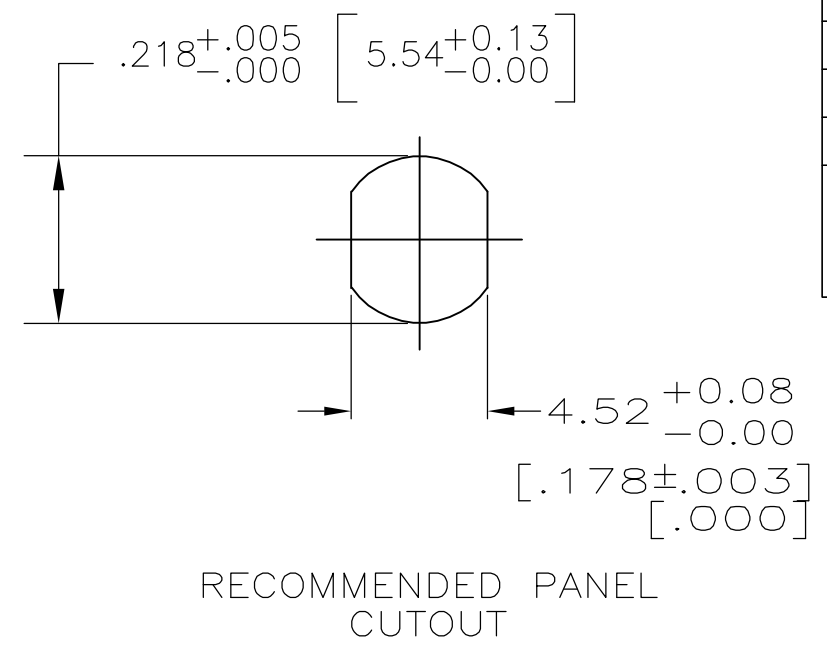
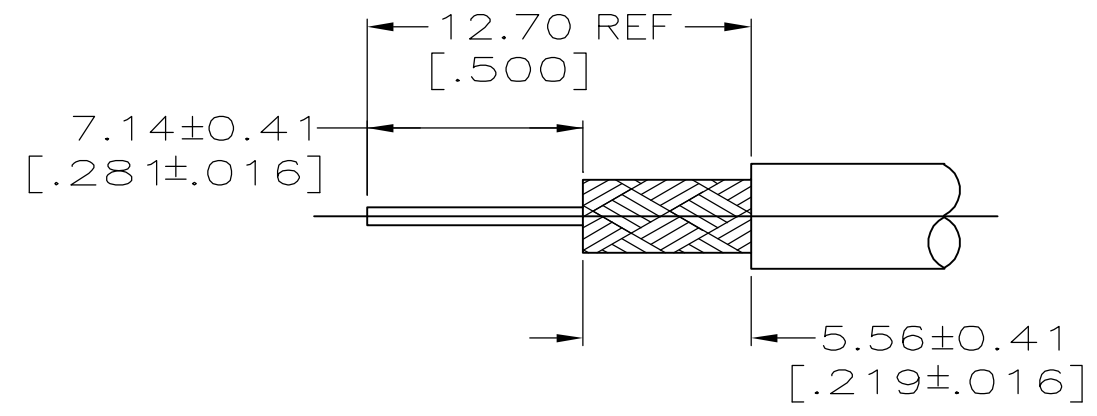
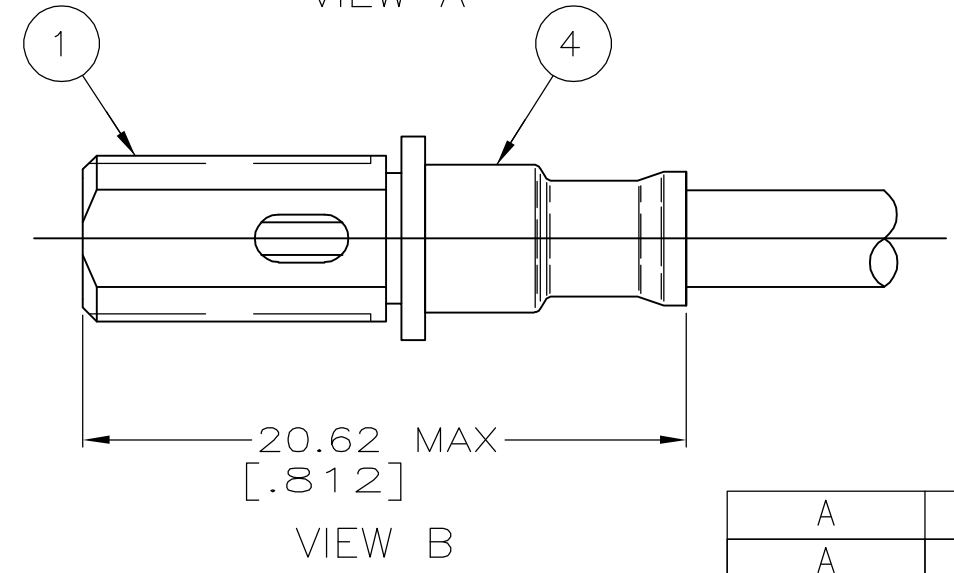


THIS DRAWING IS UNPUBLISHED. RELEASED FOR PUBLICATION
 © COPYRIGHT BY TYCO ELECTRONICS CORPORATION. ALL RIGHTS RESERVED.

LOC	DIST	REVISIONS					
DF	XO	P	LTR	DESCRIPTION	DATE	DWN	APVD
		R		REV PER ECO-06-003170	10MAR06	PY	WM



- FOR USE WITH RG-180/U, 180A/U & 195/U CABLE
- USE CRIMPING TOOL 69143
- SEE I.S. 1771
- MAX PANEL THICKNESS = .125
- PRODUCT IS DESIGNED TO MEET PRODUCT SPECIFICATION 108-12013
- PARTS PACKAGED UNASSEMBLED



A	1883198-1	5-328691-0	5-328690-0	5-330598-0	6-330599-0
A	329049	328691	328690	330598-2	1-330599-4
B	3-329049-0	-	-	330598-1	1-330599-3
A	3-329049-0	1-328691-2	1-328690-2	330598-1	1-330599-2
B	329049	-	-	330598	1-330599-1
A	329049	328691	328690	330598	1-330599-0
-	-	328691	328690	330598	330599
VIEW	④ FERRULE QTY=1	③ LOCKWASHER QTY=1	② JAM NUT QTY=1	① RECEPTACLE ASSEMBLY QTY=1	PART NUMBER

THIS DRAWING IS A CONTROLLED DOCUMENT.

DIMENSIONS: INCHES	TOLERANCES UNLESS OTHERWISE SPECIFIED:	DWN B. WERNER 07/JUL/95	tyco Electronics	Tyco Electronics Corporation Harrisburg, Pa 17105-3608	
	0 PLC ± - 1 PLC ± - 2 PLC ± - 3 PLC ± - 4 PLC ± - ANGLES ± -	CHK G. MICHAEL 13/JUL/95		NAME	RECEPTACLE, SERIES MINIATURE THREADED
MATERIAL SEE TABLE	FINISH -	APVD G. MICHAEL 13/JUL/95	PRODUCT SPEC	SIZE	CAGE CODE
			APPLICATION SPEC	A3	00779
			WEIGHT -	DRAWING NO C-330599	
			CUSTOMER DRAWING	RESTRICTED TO	
				SCALE 4:1	SHEET 1 OF 1
					REV R